

Evidence of Performance

Airborne sound insulation of building components

Test Report
No. 15-001724-PR02
(PB 01-H01-04-en-01)

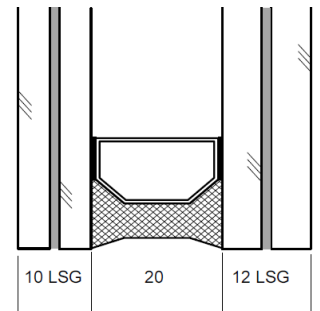


Client **PRESS GLASS SA Nowa Wies**
Kopalniana 9
42-262 Poczesna
Poland

Basis
EN ISO 10140-1: 2010
+A1: 2012 + A2:2014
EN ISO 10140-2: 2010
EN ISO 717-1: 2013

Product	Insulating glass unit
Designation	55.4+20Ar+66.4
Overall dimension (w x h)	1,230 mm x 1,480 mm
Construction	10 LSG / 20 / 12 LSG
Gas filling	Argon
Area related weight	57.3 kg/m ²
Specials	-/-

Representation



Instructions for use

This test report serves to demonstrate the airborne sound insulation of a building component.

Applicable for Germany

R_w corresponds to $R_{w,F}$ for DIN 4109 Annex 1 Table 40

Weighted sound reduction index R_w
Spectrum adaptation terms C and C_{tr}



$$R_w (C; C_{tr}) = 47 (-1; -4) \text{ dB}$$

Validity

The data and results given relate solely to the tested and described specimen.

Testing the sound insulation does not allow any statement to be made on any further characteristics of the present construction regarding performance and quality.

ift Rosenheim
27.07.2015

Dr. Joachim Hessinger, Dipl.-Phys.
Head of Testing Department
Building Acoustics

Till Stübgen, Dipl.-Ing. (FH)
Operating Testing Officer
Building Acoustics

Notes on publication

The ift Guidance Sheet "Conditions and Guidance for the Use of ift Test Documents" applies.

The cover sheet can be used as an abstract.

Contents

The test report contains a total of 7 pages:

- 1 Object
 - 2 Procedure
 - 3 Detailed results
 - 4 Instructions for use
- Data sheet (1 page)